



New Topas LED TL Tunable Series

Studio Soft Lights



- ▶ High power efficiency by using latest LED technology with optimized color rendering and 32 bit processors
- ▶ Daylight, Tungsten or tunable white color temperature available, with the best CRI and TLCI values
- ▶ Homogeneous light distribution over wide beam angle
- ▶ Stable but lightweight aluminum die cast housing with built-in power supply
- ▶ Set-up menu optimized for fast adjustment, featuring DMX modes, 8 and 16 bit mode, address, dim factor in % precise dim, temperature, fan mode, dimming curves and wireless software update
- ▶ Operated by DMX and on-board controller
- ▶ Accessories compatible with Topas fluorescent lights

New Topas LED TL Tunable Series

Studio Soft Lights

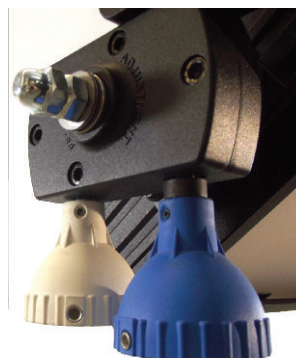
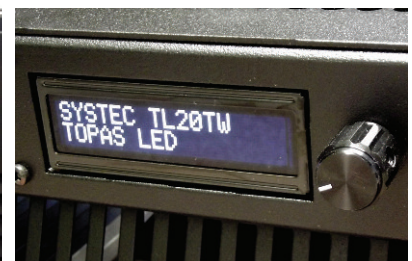


Topas LED luminaires are the recommended lighting solution for TV studios and theaters whenever professional soft lights with best light quality and power efficiency are requested. They have a consistent light distribution over a wide beam angle.

The new LED lighting technology is mounted into the stable and light-weight aluminum housings that already proved their excellent quality and liability in the Topas fluorescent studio soft lights.

The listed product versions are supplied with yoke and standard diffuser. Different product options and accessories are available and ensure a flexible integration into any TV studio with different set requirements.

Best results in lighting studio curtains can be achieved by using the cyclorama PO stirrup TCS123 or TCS46. They can carry two Topas lights allowing also an individual tilt adjustment.

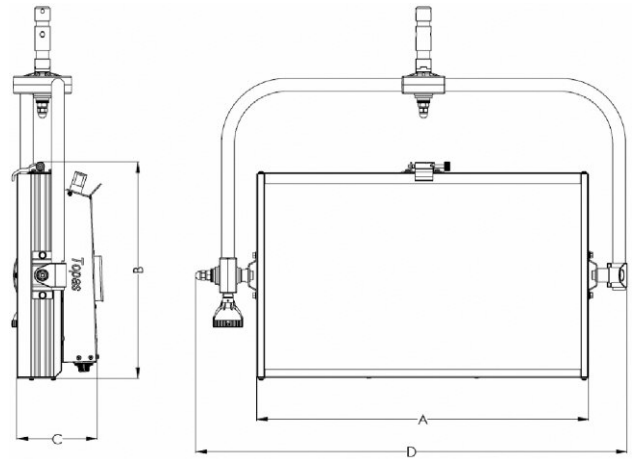


New Topas LED TL Tunable Series Studio Soft Lights



General Technical Specifications

Power supply	90-260V AC, 50/60Hz
Mains IN / OUT	PowerCON
Mains fuse	10A
Mains cable	3m with Schuko plug
Dimming	DMX512 / on-board controller
DMX IN / OUT	XLR 5-pole
Dimming range	0-100%
Beam angle	115°
CRI	> 97
TLCI	> 98
Mounting	28mm TV spigot
Oper. temperature	0 to +40°C
Air humidity	max. 80%



Product Versions

Model	Color temp.	Luminaire	MO	PO	LO
TL10	3200K	TL1032	TL1032MO	TL1032PO	TL1032LO
	5700K	TL1056	TL1056MO	TL1056PO	TL1056LO
<i>Tunable</i>	2800-6900K	TL10TW	TL10TWMO	TL10TWPO	TL10TWLO
TL20	3200K	TL2032	TL2032MO	TL2032PO	TL2032LO
	5700K	TL2056	TL2056MO	TL2056PO	TL2056LO
<i>Tunable</i>	2800-6900K	TL20TW	TL20TWMO	TL20TWPO	TL20TWLO
TL30	3200K	TL3032	TL3032MO	TL3032PO	TL3032LO
	5700K	TL3056	TL3056MO	TL3056PO	TL3056LO
<i>Tunable</i>	2800-6900K	TL30TW	TL30TWMO	TL30TWPO	TL30TWLO
TL40	3200K	TL4032	TL4032MO	TL4032PO	TL4032LO
	5700K	TL4056	TL4056MO	TL4056PO	TL4056LO
<i>Tunable</i>	2800-6900K	TL40TW	TL40TWMO	TL40TWPO	TL40TWLO

Product Accessories

Accessories	TL10	TL20	TL30	TL40
Gelframe	TFR110	TFR220	TFR330	TFR440
4-leaf barndoor black	TDB110	TDB220	TDB330	TDB440
4-leaf barndoor reflective	TDR110	TDR220	TDR330	TDR440
Egg crate	TET110	TET220	TET330	TET440
Ball head	TBH28/1	TBH28	TBH28	TBH28
Manual operated yoke	TMS123	TMS123	TMS123	TMS46
Pole operated yoke	TPO123	TPO123	TPO123	TPO46
Standard diffuser	TL10SD	TL20SD	TL30SD	TL40SD
Lite diffuser	TL10LD	TL20LD	TL30LD	TL40LD



Gelframe



4-leaf barndoor black



Egg crate



Ball head



Manual yoke



Pole operated yoke

 New Topas LED **TL10**



 New Topas LED **TL20**



Technical Specifications

Model	TL10		TL10 tunable	
Color temperature	3200K	5700K	2800K	6900K
Nominal power	100W			
Photometric data (Lux)				
2m	796	869	788	898
3m	354	386	350	399
4m	199	217	197	225
5m	127	139	126	144
6m	88	97	88	100
Weight (kg)				
Luminaire	5,0			
MO	6,3			
PO	7,5			
LO	6,3			
Dimensions (mm)				
A	615			
B	177			
C	160			
D	800			

Technical Specifications

Model	TL20		TL20 tunable	
Color temperature	3200K	5700K	2800K	6900K
Nominal power	200W			
Photometric data (Lux)				
2m	1694	1848	1671	1904
3m	753	821	743	846
4m	424	462	418	476
5m	271	296	267	305
6m	188	205	186	212
Weight (kg)				
Luminaire	7,5			
MO	8,8			
PO	10,0			
LO	8,8			
Dimensions (mm)				
A	615			
B	246			
C	160			
D	800			

 New Topas LED **TL30**



 New Topas LED **TL40**



Technical Specifications

Model	TL30		TL30 tunable	
Color temperature	3200K	5700K	2800K	6900K
Nominal power	300W			
Photometric data (Lux)				
2m	2491	2709	2458	2819
3m	1107	1204	1092	1253
4m	623	677	615	705
5m	399	433	393	451
6m	277	301	273	313
Weight (kg)				
Luminaire	9,7			
MO	11,0			
PO	12,2			
LO	11,0			
Dimensions (mm)				
A	615			
B	319			
C	148			
D	800			

Technical Specifications

Model	TL40		TL40 tunable	
Color temperature	3200K	5700K	2800K	6900K
Nominal power	400W			
Photometric data (Lux)				
2m	3308	3586	3282	3732
3m	1470	1594	1459	1659
4m	827	897	821	933
5m	529	574	525	597
6m	368	398	365	415
Weight (kg)				
Luminaire	12,4			
MO	13,8			
PO	15,1			
LO	13,8			
Dimensions (mm)				
A	615			
B	400			
C	148			
D	800			

Specifications are subject to change without notice

SYSTEC Film & TV Studio Equipment

SYSTEC S.A. was founded in 1995 and is based in the industrial area of Thessaloniki in Greece. The company started as a supplier of high-tech components for well-known German companies operating in lighting engineering and other industrial applications.

MELA Industrieprodukte GmbH is the sister company based in Hohenbrunn/Munich in Germany, responsible for product management, research, design and development.

A core business field of **SYSTEC** is the manufacturing of professional **suspension, lighting** and **ENG** equipment for TV and film studios.

We supply various manual and motorized hoists for different requirements, starting with pantographs of up to three axis to motorized and computer controlled hoists for fully automated studios.

Our lighting range comprises Fresnel and Soft lights with conventional lamps but also available with latest LED technology with high efficiency and light quality.

Key features of our products are best quality, safe operation and easy handling. Our products are CE certified and comply with all relevant standards.

The **SYSTEC** studio team with over 25 years of experience in the studio business will support the customer, starting with studio planning up to finalizing the project and the after-sale support.



Vertrieb:

Feiner Lichttechnik GmbH
 Donaustaufferstr. 93
 93059 Regensburg
 Tel 0941/604050
 Fax 0941/604058
 info@feiner-lichttechnik.de
 www.feiner-lichttechnik.de