

# ProPlex®

## DIN Rail Devices

The Leader in Touring Technology, Now Coming to a Building Near You!

### IQ 4-Universe, Ethernet-DMX Node, DIN Rail Mount



- Bidirectional data conversion: DMX-ArtNet/sACN
- Powerful feature set, control, management, via ProPlex IQ Manager software

### Opto-Splitter 1x4, DIN Rail Mount



- One in, four out optically isolated DMX splitter
- Automatically regenerates/boosts "bad" DMX signals
- RDM option available

### FloppyDrive, DIN Rail Mount



- DMX control for LED Neon, Tape and other low voltage systems
- Two 12V or 24V outputs. 1, 2, 3, or 4 output channels each.
- Full system addressing and monitoring via RDM
- 1200Hz flicker-free refresh rate

### FloppyDrive Digital, DIN Rail Mount



- DMX control for up to 15m of Firefly FloppyFlex Digital
- One 24V output
- Full system addressing and monitoring via RDM
- 1200Hz flicker-free refresh rate



**FEINER**  
LICHTTECHNIK

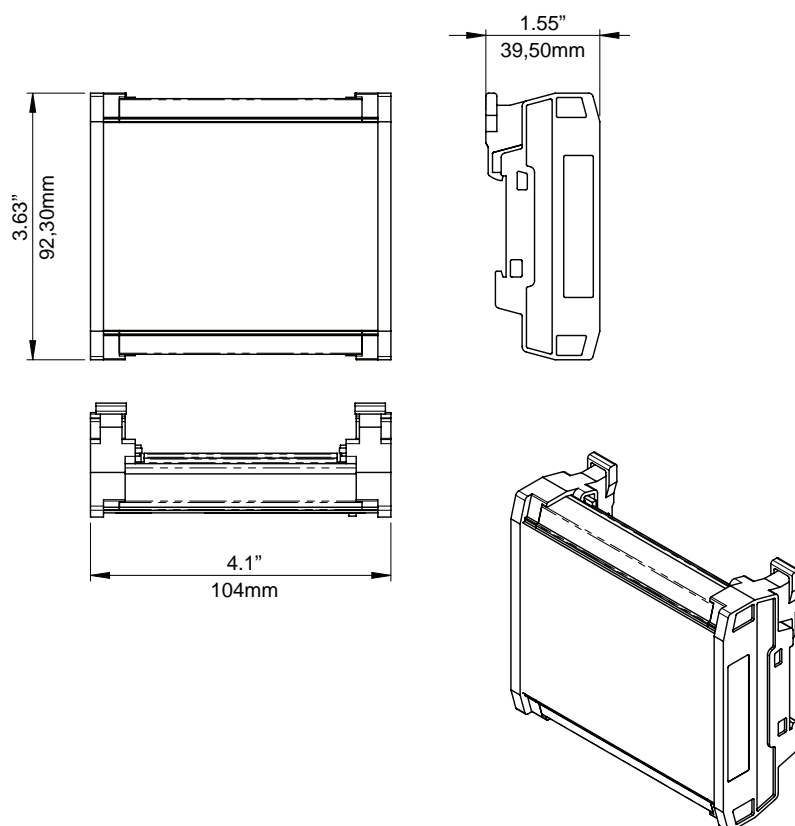
Donaustauerstraße 93 - D-93059 Regensburg - Fon +49(0941)604050 - Fax 604058  
info@feiner-lichttechnik.de - www.feiner-lichttechnik.de



ProPlex DIN Rail IQ 4 RDM Specifications	
Part Number	PPIQADIN14DA
RDM support	Yes
Operating Voltage	24 VDC (Requires external power supply)
Power Consumption	10W
Number of DMX ports	4
Number of sACN/ ArtNet universes	1
Signal processing	Art-Net or sACN to DMX512 converter
Power Input	Phoenix MSTB 2-terminal
Ethernet type	10 / 100 Base-T
Ethernet port	RJ45
Power/Data Outputs	4x Phoenix MSTB 3-terminal
Configuration	Using built in webserver or dedicated software
Operating Temp.	-22 °F - 104 °F [-30 °C - +40 °C]
Dimensions (HxWxD)	1.55" x 4.1" x 3.63" [39.5 x 104 x 92.3 mm]
Weight	174g

ProPlex DIN Rail Opto-Splitter 4 Specifications		
Part Number	PPDSDIN14RA	PPDSDIN14MDA
RDM support	Yes	No
Operating Voltage	24 VDC (Requires external power supply)	
Power Consumption	10W	
Number of Inputs	1	
Number of Outputs	4 +1 Thru	
Number of Universes	1	
Power Input	Phoenix MSTB 2-terminal	
Data Input	Phoenix MSTB 3-terminal	
Data Thru	Phoenix MSTB 3-terminal	
Data Outputs	4x Phoenix MSTB 3-terminal	
Operating Temp.	-22 °F - 104 °F [-30 °C - +40 °C]	
Dimensions (HxWxD)	1.55" x 4.1" x 3.63" [39.5 x 104 x 92.3 mm]	
Weight	174g	

ProPlex DIN Rail FloppyDrive Specifications				
Model	1x2 - Single Color	2x2 - Dynamic White	3x2 - RGB	4x2 - RGBW/A
Part Number	PPFDDIN1	PPFDDIN2	PPFDDIN3	PPFDDIN4
Output Channels	2	4	6	8
Current per Channel	5A	2.5A	1.67A	1.25A
RDM support	Yes			
Operating Voltage	12 or 24 VDC (Requires external power supply)			
Number of Outputs	2			
Output Voltage	12 or 24 VDC			
Output power	Up to 240W			
Number of Universes	1			
Power Input	Phoenix MSTB 4-terminal			
Data Input	Phoenix MSTB 3-terminal			
Data Thru	Phoenix MSTB 3-terminal			
Power/Data Outputs	2x Phoenix MSTB 2-terminal	2x Phoenix MSTB 3-terminal	2x Phoenix MSTB 4-terminal	2x Phoenix MSTB 5-terminal
Operating Temp.	-22 °F - 104 °F [-30 °C - +40 °C]			
Dimensions (HxWxD)	1.55" x 4.1" x 3.63" [39.5 x 104 x 92.3 mm]			
Weight	TBA	TBA	TBA	TBA



ProPlex DIN Rail FloppyDrive Digital Specifications	
Part Number	PPFDDIN
RDM support	Yes
Operating Voltage	24 VDC (Requires external power supply)
Number of Outputs	1
Output Voltage	24 VDC
Power	Up to 7.5A, 24 VDC
Output power	Up to 180W
Number of Universes	1
Power Input	Phoenix MSTB 4-terminal
Data Input	Phoenix MSTB 3-terminal
Data Thru	Phoenix MSTB 3-terminal
Power/Data Outputs	Phoenix MSTB 4-terminal
Operating Temp.	-22 °F - 104 °F [-30 °C - +40 °C]
Dimensions (HxWxD)	1.55" x 4.1" x 3.63" [39.5 x 104 x 92.3 mm]
Weight	174g

