

Product Specification Sheet

Rama LED Fresnel (7° - 50°)



The Rama LED Fresnel provides an adjustable cone of light , has a soft edge and is easily blended with adjacent beams to provide even illumination.

The minimal power consumption and full warm /cool white output results in significant reductions in power consumption over traditional 1 / 1.2kW Tungsten Halogen luminaires.

Features

Homogenized fully mixed white light with no multiple shadows or fringing.

No need for lamp or colour filter replacement.

No need for dimmers, connect directly to mains supply.

DMX 512A(RDM) input/output with 8 or 16 bit resolution

Quiet active cooling system.

Onboard LCD menu for ease of addressing / setup / manual operation.

Integrated safety bond rated for the luminaire

Adjustable yoke balance point.

'Swing-down' door for easy access for cleaning. Disconnects the mains power supply on opening.

Smooth 'posi-slide' focus system, no metal to metal contact.

Constructed from aluminium extrusion and moulded engineering plastics.

Tilt and focus scales are in real degrees allowing for accurate WSIYWYG implementation.

Three year warranty

Electrical Specification

Voltage: 100-240 VAC

Wattage : 94.5W (total consumption)

Current: 0.5A @240V , 1A @115V

Order Codes

16RAFR175LED3100MO

Rama LED Fresnel 3100K manual operation

16RAFR175LED3100PO

Rama LED Fresnel 3100K pole operation

16RAFR175LED5600MO

Rama LED Fresnel 5600K manual operation

16RAFR175LED5600PO

Rama LED Fresnel 5600K pole operation

Optional Accessories

RAMALEDPTYKIT

Rama LED Pan/Tilt pole operation kit

20BDRA

Rama Barndoor

Approvals

Designed to comply fully with CE standards.

Photometric Data


LED: 80W Philips Luxeon Lumiled

CCT: 3100K, 5600K

CRI: Minimum 90 , Typical 95

Beam Angle Range: 7°- 50°

		Beam Diameter (metres)					
3100K	Spot	0	0.2	0.5	0.7	1	1.2
	Flood	0	1.9	3.7	5.6	7.5	9.3
5600K	Spot	0	0.2	0.5	0.7	1	1.2
	Flood	0	1.9	3.7	5.6	7.5	9.3



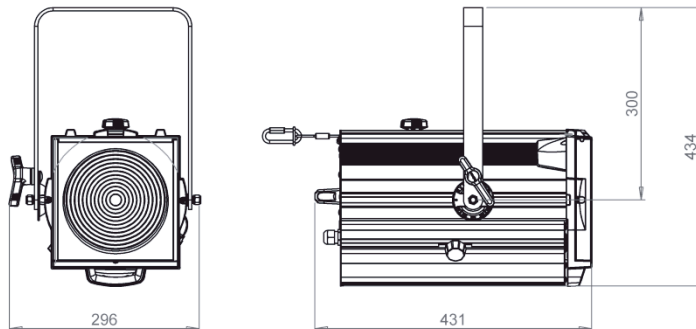
Throw Distance (metres)	0	2	4	6	8	10	
Central illumination (lux)							
3100K	Spot		22956	5739	2551	1435	918
	Flood		1875	469	208	117	75
5600K	Spot		25252	6313	2806	1579	1010
	Flood		2063	516	229	129	83

Physical Data

Weight: 8.4kg

Colour frame size: 186mm x 190mm

Included: 1x colour frame, yoke nut & bolt, instruction sheet, 1.0m mains cable



Manual operation version

Philips Selecon reserves the right to change the specifications without notice (March 2016).



FEINER
LICHTTECHNIK

FEINER LICHTTECHNIK GmbH
DONAUSTAUFER STRASSE 93
93059 REGENSBURG
FON (0941) 604050
FAX (0941) 604058
WWW.FEINER-LICHTTECHNIK.DE

PHILIPS
Selecon