



## New Director LED DL Tunable Series

### Studio Fresnel Lights



- ▶ High power efficiency by using latest LED technology with optimized color rendering and 32 bit processors
- ▶ Daylight ,Tungsten or Tunable white color temperature available, with the best CRI and TLCI values
- ▶ Homogeneous light distribution over wide beam angle due the use of high quality Fresnel glass lenses
- ▶ Stable but lightweight aluminum die cast housing with built-in power supply
- ▶ Set-up menu optimized for fast adjustment, featuring DMX modes, 8 and 16 bit mode, address, dim factor in % precise dim, temperature, fan mode, dimming curves and wireless software update
- ▶ Operated by DMX and on-board controller
- ▶ Accessories compatible with Director Halogen lights



**SYSTEC S.A.**  
STUDIO EQUIPMENT

*advance by innovation*

## New Director LED DL Tunable Series

### Studio Fresnel Lights



Director LED luminaires DL Series are the recommended lighting solution for TV studios and theaters whenever professional Fresnel lights with best light quality and power efficiency are requested.

The new LED lighting technology is mounted into the very stable and lightweight aluminum housings that already proofed their excellent quality and liability in the Director Classic Halogen studio luminaires.

The listed sets are supplied with stirrup and barndoor. Different product options and accessories are available and ensure a flexible integration into any TV studio with different set requirements.

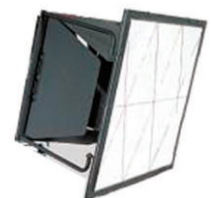


### General Technical Specifications

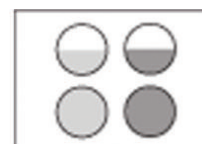
|                       |                              |
|-----------------------|------------------------------|
| Power supply          | 100-240V AC, 50/60Hz         |
| Cooling               | Active with low noise fan    |
| Mains IN / OUT        | PowerCON with Schuko plug    |
| Dimming               | DMX512 / on-board controller |
| DMX IN / OUT          | XLR 5-pole                   |
| Dimming range         | 0-100%                       |
| CRI                   | > 98                         |
| TLCI                  | > 98                         |
| Mounting              | 28mm TV spigot               |
| Operating temperature | 0 to +45°C                   |
| Air humidity          | max. 80%                     |
| Protection class      | IP 20                        |



Barndoor



Outtrigger



Scrim set



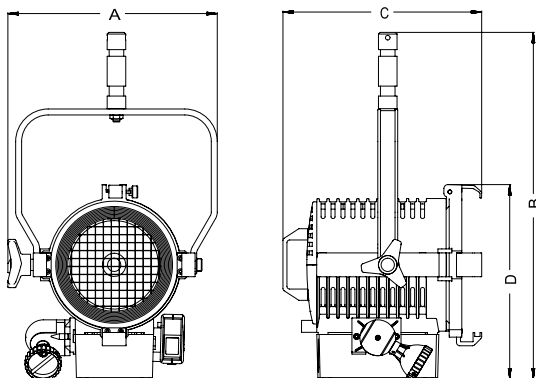
Gelframe



# New Director LED **DL8**

## Technical Specifications

|                          |   |
|--------------------------|---|
| Lens diameter            | 80mm                                      |
| Beam angle               | 14° - 58°                                 |
| Tilt angle               | +/- 90°                                   |
| Maximal power            | 35W                                       |
| Mains IN                 | 3m cable 3x1,5mm <sup>2</sup> Schuko plug |
| Mounting                 | 16mm TV spigot                            |
| Weight with barndoor     | 2,7 kg                                    |
| Dimensions A / B / C / D | 201 / 251 / 213 / 183mm                   |



## Photometric Data

| Model             | DL0832   |           | DL0856   |           |
|-------------------|----------|-----------|----------|-----------|
| Color temperature | 3200K    |           | 5600K    |           |
| Distance / Lux    | Spot 15° | Flood 58° | Spot 15° | Flood 58° |
| 3m                | 1368     | 272       | 1603     | 287       |
| 4m                | 770      | 153       | 902      | 161       |
| 5m                | 492      | 98        | 577      | 103       |
| 6m                | 342      | 68        | 401      | 72        |

## Product Options and Accessories

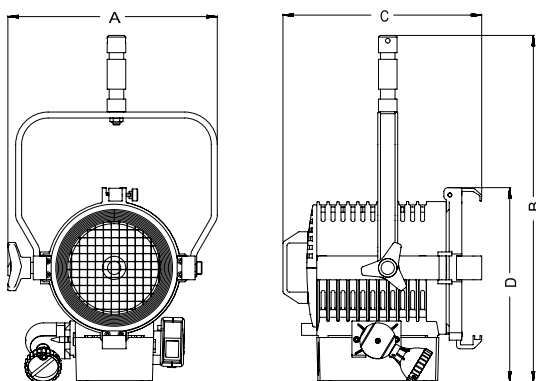
| Order Code | Description  |
|------------|--|
| DL0832MO   | Set Director LED Fresnel light DL0832 (3200K) with manual operated stirrup incl. barndoor D1 |
| DL0856MO   | Set Director LED Fresnel light DL0856 (5600K) with manual operated stirrup incl. barndoor D1 |
| STD100     | Barndoor D1  |
| STF100     | Gelframe 1   |



# New Director LED **DL13** & **DL13TW**

## Technical Specifications

|                          |                         |
|--------------------------|-------------------------|
| Lens diameter            | 130mm                   |
| Beam angle               | 12° - 70° / half peak   |
| Tilt angle               | +/- 90°                 |
| Weight MO / PO set       | 5,0 / 6,7kg             |
| Dimensions A / B / C / D | 304 / 461 / 299 / 267mm |



## Photometric Data

| Model             | DL1332   |           | DL1356   |           | DL13TW   |           |          |           |
|-------------------|----------|-----------|----------|-----------|----------|-----------|----------|-----------|
| Nominal power     | 60W      |           | 60W      |           | 100W     |           |          |           |
| Color temperature | 3200K    |           | 5600K    |           | 3200K    |           | 5600K    |           |
| Distance / Lux    | Spot 12° | Flood 50° | Spot 12° | Flood 50° | Spot 12° | Flood 50° | Spot 12° | Flood 50° |
| 3m                | 3100     | 600       | 3260     | 650       | 2550     | 520       | 3250     | 660       |
| 4m                | 1744     | 338       | 1834     | 366       | 1434     | 293       | 1828     | 371       |
| 5m                | 1116     | 216       | 1174     | 234       | 918      | 187       | 1170     | 238       |
| 6m                | 775      | 150       | 815      | 163       | 638      | 130       | 813      | 165       |

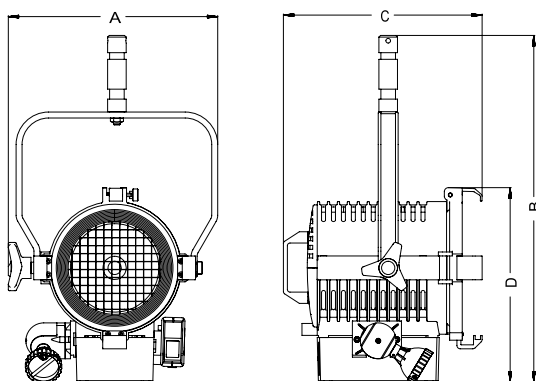
## Product Options and Accessories

| Order Code | Description   |
|------------|---|
| DL1332     | Director LED Fresnel light DL1332, 3200K tungsten color temperature             |
| DL1332MO   | Set Director DL1332 with manual operated stirrup incl. barndoor D2              |
| DL1332PO   | Set Director DL1332 with pole operated stirrup incl. barndoor D2                |
| DL1356     | Director LED Fresnel light DL1356, 5600K daylight color temperature             |
| DL1356MO   | Set Director DL1356 with manual operated stirrup incl. barndoor D2              |
| DL1356PO   | Set Director DL1356 with pole operated stirrup incl. barndoor D2                |
| DL13TW     | Director LED Fresnel light DL13TW, 2800 - 6500K tunable white color temperature |
| DL13TWMO   | Set Director DL13TW with manual operated stirrup incl. barndoor D2              |
| DL13TWPO   | Set Director DL13TW with pole operated stirrup incl. barndoor D2                |
| STD200     | Barndoor D2   |
| STF200     | Gelframe 2  |
| STO300     | Outrigger 3   |
| STS210     | Scrims-Set 200  |

# New Director LED **DL17** & **DL17TW**

## Technical Specifications

|                          |                        |
|--------------------------|------------------------|
| Lens diameter            | 175mm                  |
| Beam angle               | 12° - 56° / half peak  |
| Tilt angle               | +/- 90°                |
| Weight MO / PO set       | 6,0 / 7,7kg            |
| Dimensions A / B / C / D | 317 / 522 / 301/ 292mm |



## Photometric Data

| Model             | DL1732   |           | DL1756   |           | DL17TW   |           |          |           |
|-------------------|----------|-----------|----------|-----------|----------|-----------|----------|-----------|
| Nominal power     | 120W     |           | 120W     |           | 170W     |           |          |           |
| Color temperature | 3200K    |           | 5600K    |           | 3200K    |           | 5600K    |           |
| Distance / Lux    | Spot 12° | Flood 50° | Spot 12° | Flood 50° | Spot 12° | Flood 50° | Spot 12° | Flood 50° |
| 3m                | 5890     | 1250      | 6935     | 1425      | 5550     | 1020      | 6840     | 1270      |
| 4m                | 3313     | 703       | 3901     | 802       | 3122     | 574       | 3848     | 714       |
| 5m                | 2120     | 450       | 2497     | 513       | 1998     | 367       | 2462     | 457       |
| 6m                | 1473     | 313       | 1734     | 356       | 1388     | 255       | 1710     | 318       |

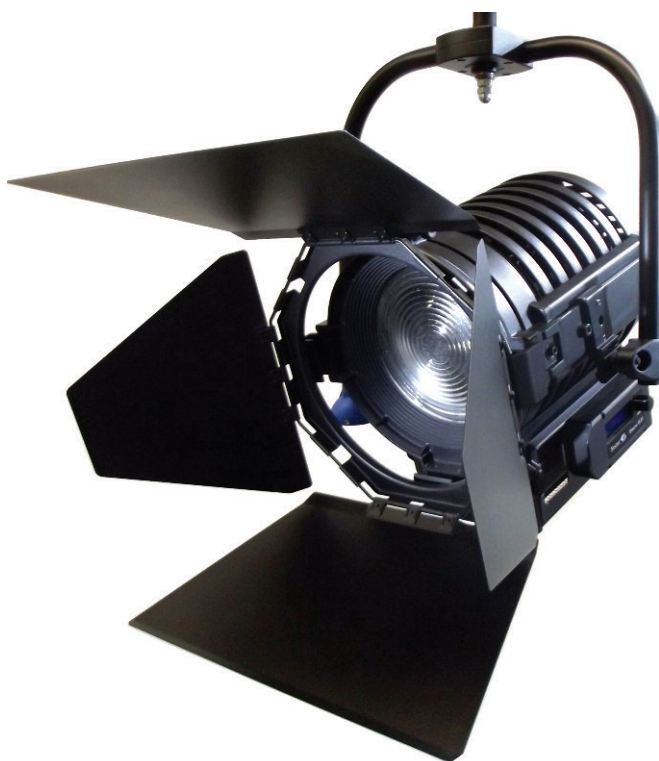
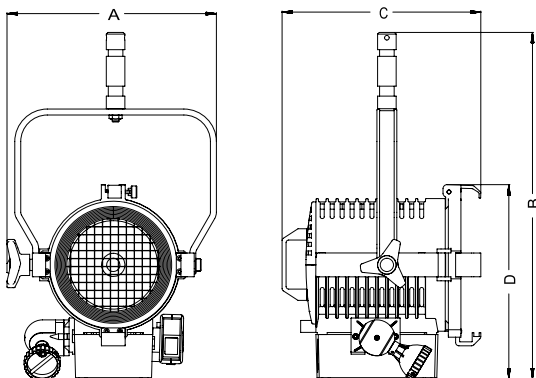
## Product Options and Accessories

| Order Code | Description   |
|------------|---|
| DL1732     | Director LED Fresnel light DL1732, 3200K tungsten color temperature             |
| DL1732MO   | Set Director DL1732 with manual operated stirrup incl. barndoor D3              |
| DL1732PO   | Set Director DL1732 with pole operated stirrup incl. barndoor D3                |
| DL1756     | Director LED Fresnel light DL1756, 5600K daylight color temperature             |
| DL1756MO   | Set Director DL1756 with manual operated stirrup incl. barndoor D3              |
| DL1756PO   | Set Director DL1756 with pole operated stirrup incl. barndoor D3                |
| DL17TW     | Director LED Fresnel light DL17TW, 2800 - 6500K tunable white color temperature |
| DL17TWMO   | Set Director DL17TW with manual operated stirrup incl. barndoor D3              |
| DL17TWPO   | Set Director DL17TW with pole operated stirrup incl. barndoor D3                |
| STD300     | Barndoor D3   |
| STF300Z    | Gelframe 9 inches   |
| STO300     | Outrigger 3   |
| STS310Z    | Scrims-Set 9 inches   |

# New Director LED **DL20** & **DL20TW**

## Technical Specifications

|                          |                         |
|--------------------------|-------------------------|
| Lens diameter            | 200mm                   |
| Beam angle               | 12° - 74° / half peak   |
| Tilt angle               | +/- 90°                 |
| Weight MO / PO set       | 12,3 / 13,8kg           |
| Dimensions A / B / C / D | 350 / 672 / 404 / 388mm |



## Photometric Data

| Model             | DL2032   |           | DL2056   |           | DL20TW   |           |          |           |
|-------------------|----------|-----------|----------|-----------|----------|-----------|----------|-----------|
| Nominal power     | 210W     |           | 210W     |           | 270W     |           |          |           |
| Color temperature | 3200K    |           | 5600K    |           | 3200K    |           | 5600K    |           |
| Distance / Lux    | Spot 12° | Flood 50° | Spot 12° | Flood 50° | Spot 12° | Flood 50° | Spot 12° | Flood 50° |
| 3m                | 9020     | 2040      | 10950    | 2310      | 9620     | 1750      | 11870    | 2160      |
| 4m                | 5074     | 1148      | 6159     | 1299      | 5411     | 984       | 6677     | 1215      |
| 5m                | 3247     | 734       | 3942     | 832       | 3463     | 630       | 4273     | 778       |
| 6m                | 2255     | 510       | 2738     | 578       | 2405     | 438       | 2968     | 540       |

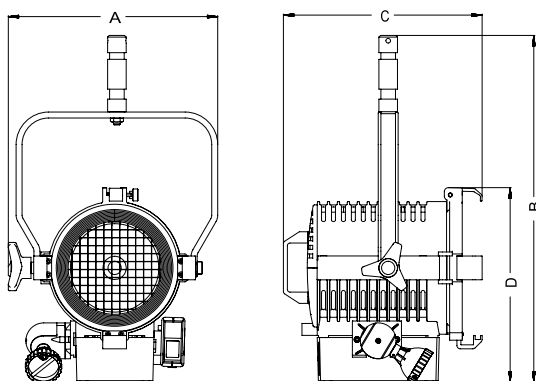
## Product Options and Accessories

| Order Code | Description   |
|------------|---|
| DL2032     | Director LED Fresnel light DL2032, 3200K tungsten color temperature             |
| DL2032MO   | Set Director DL2032 with manual operated stirrup incl. barndoor D4              |
| DL2032PO   | Set Director DL2032 with pole operated stirrup incl. barndoor D4                |
| DL2056     | Director LED Fresnel light DL2056, 5600K daylight color temperature             |
| DL2056MO   | Set Director DL2056 with manual operated stirrup incl. barndoor D4              |
| DL2056PO   | Set Director DL2056 with pole operated stirrup incl. barndoor D4                |
| DL20TW     | Director LED Fresnel light DL20TW, 2800 - 6500K tunable white color temperature |
| DL20TWMO   | Set Director DL20TW with manual operated stirrup incl. barndoor D4              |
| DL20TWPO   | Set Director DL20TW with pole operated stirrup incl. barndoor D4                |
| STD400     | Barndoor D4   |
| STF400Z    | Gelframe 12 inches  |

# New Director LED **DL25** & **DL25TW**

## Technical Specifications

|                          |                         |
|--------------------------|-------------------------|
| Lens diameter            | 250mm                   |
| Beam angle               | 12° - 68° / half peak   |
| Tilt angle               | +/- 90°                 |
| Weight MO / PO set       | 15,7 / 16,6kg           |
| Dimensions A / B / C / D | 485 / 730 / 425 / 449mm |



## Photometric Data

| Model             | DL2532   |           | DL2556   |           | DL25TW   |           |          |           |
|-------------------|----------|-----------|----------|-----------|----------|-----------|----------|-----------|
| Nominal power     | 270W     |           | 270W     |           | 270W     |           |          |           |
| Color temperature | 3200K    |           | 5600K    |           | 3200K    |           | 5600K    |           |
| Distance / Lux    | Spot 12° | Flood 50° | Spot 12° | Flood 50° | Spot 12° | Flood 50° | Spot 12° | Flood 50° |
| 3m                | 10589    | 2739      | 11240    | 3118      | 10283    | 2021      | 12836    | 2530      |
| 4m                | 5956     | 1541      | 6323     | 1754      | 5784     | 1137      | 7220     | 1423      |
| 5m                | 3812     | 986       | 4046     | 1122      | 3702     | 728       | 4621     | 911       |
| 6m                | 2647     | 685       | 2810     | 780       | 2571     | 505       | 3209     | 633       |

## Product Options and Accessories

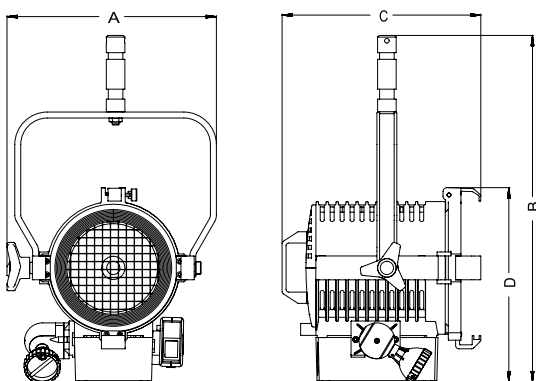
| Order Code | Description   |
|------------|---|
| DL2532     | Director LED Fresnel light DL2532, 3200K tungsten color temperature             |
| DL2532MO   | Set Director DL2532 with manual operated stirrup incl. barndoor D5k             |
| DL2532PO   | Set Director DL2532 with pole operated stirrup incl. barndoor D5k               |
| DL2556     | Director LED Fresnel light DL2556, 5600K daylight color temperature             |
| DL2556MO   | Set Director DL2556 with manual operated stirrup incl. barndoor D5k             |
| DL2556PO   | Set Director DL2556 with pole operated stirrup incl. barndoor D5k               |
| DL25TW     | Director LED Fresnel light DL25TW, 2800 - 6500K tunable white color temperature |
| DL25TWMO   | Set Director DL25TW with manual operated stirrup incl. barndoor D5k             |
| DL25TWPO   | Set Director DL25TW with pole operated stirrup incl. barndoor D5k               |
| STD500K    | Barndoor D5k  |
| STF500     | Gelframe 5  |
| STO500     | Outrigger 5   |
| STS510     | Scrims-Set 500  |



## New Director LED DL30

### Technical Specifications

|                          |                         |
|--------------------------|-------------------------|
| Lens diameter            | 300mm                   |
| Beam angle               | 10° - 56° / half peak   |
| Tilt angle               | +/- 90°                 |
| Weight MO / PO set       | 17,5 / 19,5kg           |
| Dimensions A / B / C / D | 480 / 740 / 530 / 446mm |



### Photometric Data

| Model             | DL3032   |           | DL3056   |           |
|-------------------|----------|-----------|----------|-----------|
| Nominal power     | 290W     |           | 290W     |           |
| Color temperature | 3200K    |           | 5600K    |           |
| Distance / Lux    | Spot 12° | Flood 50° | Spot 12° | Flood 50° |
| 3m                | 18080    | 2920      | 18150    | 3480      |
| 4m                | 10170    | 1643      | 10209    | 1958      |
| 5m                | 6509     | 1051      | 6534     | 1253      |
| 6m                | 4520     | 730       | 4538     | 870       |

### Product Options and Accessories

| Order Code | Description   |
|------------|---|
| DL3032     | Director LED Fresnel light DL3032, 3200K tungsten color temperature |
| DL3032MO   | Set Director DL3032 with manual operated stirrup incl. barndoor D6k |
| DL3032PO   | Set Director DL3032 with pole operated stirrup incl. barndoor D6k   |
| DL3056     | Director LED Fresnel light DL3056, 5600K daylight color temperature |
| DL3056MO   | Set Director DL3056 with manual operated stirrup incl. barndoor D6k |
| DL3056PO   | Set Director DL3056 with pole operated stirrup incl. barndoor D6k   |
| STD600k    | Barndoor D6k  |
| STF600     | Gelframe 6  |

Specifications show typical values and are subject to change without notice

Version V23/3



# SYSTEC Film & TV Studio Equipment

SYSTEC S.A. was founded in 1995 and is based in the industrial area of Thessaloniki in Greece. The company started as a supplier of high-tech components for well-known German companies operating in lighting engineering and other industrial applications.

**MELA Industrieprodukte GmbH** is the sister company based in Hohenbrunn/Munich in Germany, responsible for product management, research, design and development.

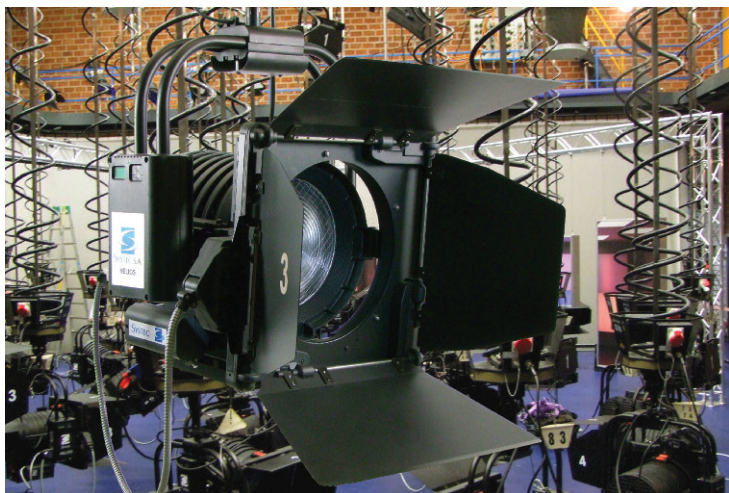
A core business field of **SYSTEC** is the manufacturing of professional **suspension, lighting** and **ENG** equipment for TV and film studios.

We supply various manual and motorized hoists for different requirements, starting with pantographs of up to three axis to motorized and computer controlled hoists for fully automated studios.

Our lighting range comprises Fresnel and Soft lights with conventional lamps but also available with latest LED technology with high efficiency and light quality.

Key features of our products are best quality, safe operation and easy handling. Our products are CE certified and comply with all relevant standards.

The **SYSTEC** studio team with over 25 years of experience in the studio business will support the customer, starting with studio planning up to finalizing the project and the after-sale support.



**SYSTEC S.A.**  
INDUSTRIAL PRODUCTS



Vertrieb:

Feiner Lichttechnik GmbH  
Donaustauerstr. 93  
93059 Regensburg  
Tel 0941/604050  
Fax 0941/604058  
info@feiner-lichttechnik.de  
www.feiner-lichttechnik.de